

# Manual and Electrical Space Saver



- Smallest and lightest in the market
- Kit conversions are interchangeable Jabsco, TMC, RM69, Johnson pump, Raritan
- Reversible pump mounting on left or right handed installation
- All corrosion resistant material for marine use .

There is a toilets to suit every boat and budget.

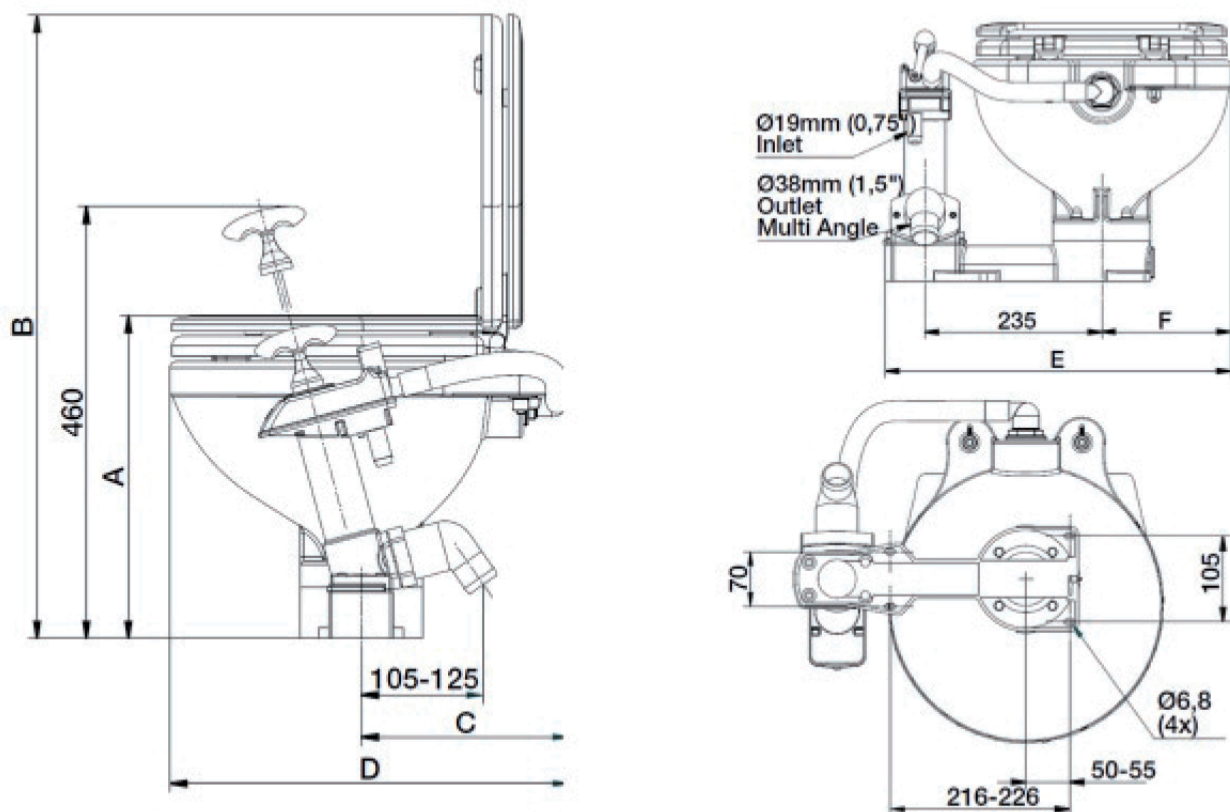
The toilets are the world's best seller designed for ease of service in restricted spaces with all the fastenings facing the front or the top.

Performance, reliability, noise level and design have really reached the highest standards. Available in 3 different basic models: electric standard, electric silence or manual operation. Competitively, the fine finish and well thought design of these toilets is remarkable. Made from white vitreous porcelain, and with corrosion resistant parts throughout, the toilets are silent, robust and easy to clean.

PART. N.	VERSION	AMP	VOLT	SEAT	PORT CONNECTIONS	OUTLET HOSE	DIMENSIONS
50.217.30	Manual			plastic	inlet. 19 mm outlet 38 mm	38	425x345x285mm
50.207.50	Manual			wooden	inlet. 19 mm outlet 38 mm	38	425x345x295mm
50.205.13	Electric	13	12	wooden	inlet. 19 mm outlet 25 mm	25-38	465x345x320mm
50.207.13	Electric	13	12	plastic	inlet. 19 mm outlet 25 mm	25-38	465x345x310mm

## Manual toilet:

PART. N.	DESCRIPTION	WEIGHT	A	B	C	D	E	F
50.217.30	PLASTIC SEAT	8 KG	285	630	215	425	450	170
50.207.50	WOODEN SEAT	9 KG	300	640	215	425	450	170



## Electric standard toilet:

PART. N.	DESCRIPTION	WEIGHT	A	B	C	D	E
50.207.13	PLASTIC SEAT	9 KG	345	650	310	209	216
50.205.13	WOODEN SEAT	10 KG	345	660	320	209	216

